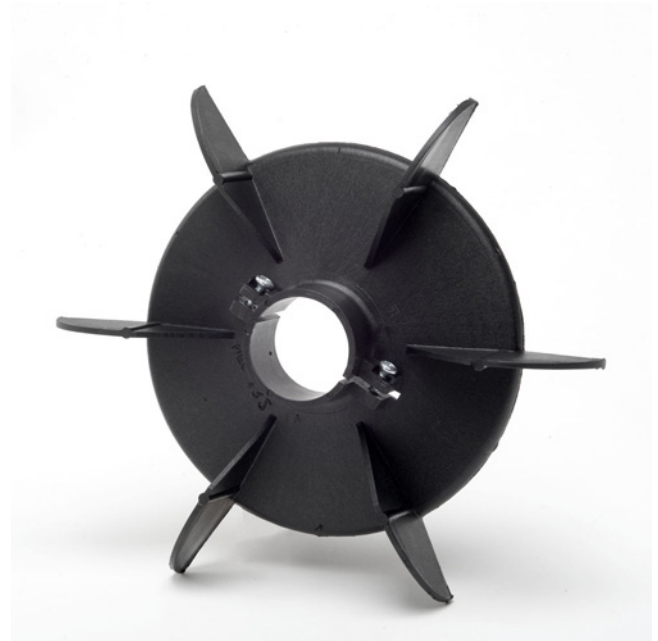


Cooling fan MEC

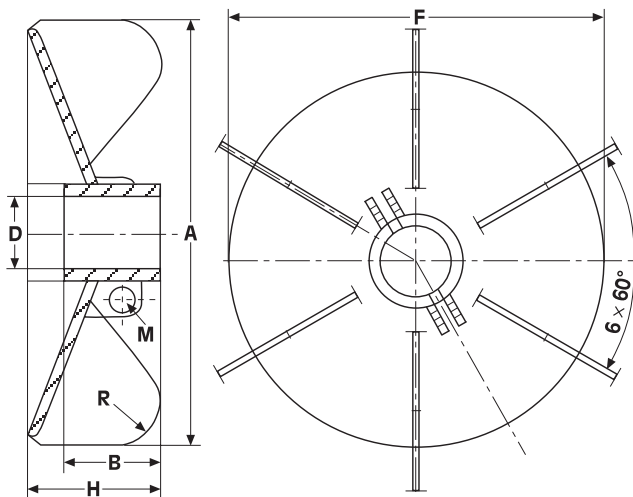


MEC plastic fans with clamp holder are made in sizes 63-160. They are of stable, robust design with excellent thermal properties.

The fans are tested to withstand cooling on norm motors with alternating current (AC).



B00205-2022-01 EN



Item no.	Type	Dimensions (mm)						
		A	B	D	H	F	R	M
106213	MEC 63 cv	105	18	15	24	90	14	M4
106205	MEC 71/14 cv	125	18	14	30	105	15	M4
106214	MEC 71/17 cv	125	18	17	30	105	15	M4
106210	MEC 80 cv	135	25	20	32	115	20	M4
106206	MEC 90 cv	160	25	25	37	135	32	M4
106211	MEC 100 cv	180	27	30	42	153	30	M4
106212	MEC 112 cv	194	22	30	43	150	27	M5
106207	MEC 132 cv	229	32	40	40	160	40	M5
106215	MEC 160 cv	290	32	45	52	220	50	M5

BEVI is a registered trademark owned by BEVI AB. BEVI reserves the right to change specifications without prior notice.

How to contact BEVI

Contact details for all countries are continually updated on our website.
Please visit www.bevi.com to access the information direct.

BEVI AB (Headquarters)
Blomstermåla, Sweden
Tel. +46 499 271 00
info@bevi.se

