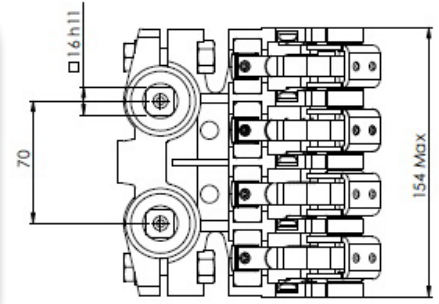
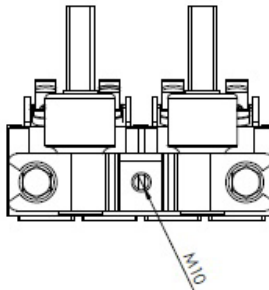
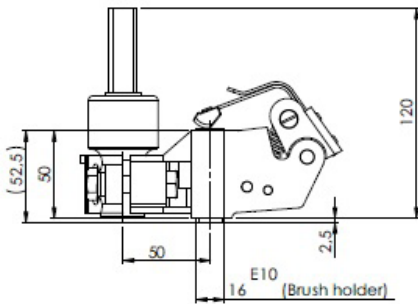
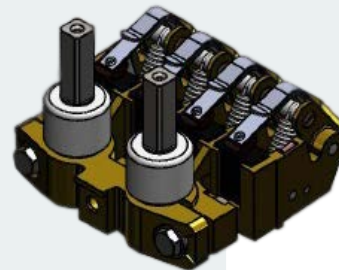
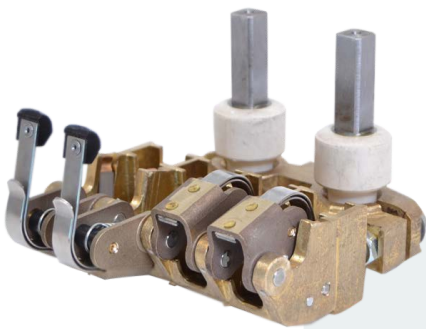


Pocket Brush Holder Traction 4 Pocket Type 16 x 32

Complete brush holder for traction motors with four brush holder pockets with dimensions 16 x 32 x max 54 mm. Insulators for direct mounting of the complete unit are Included.

Very stable assembly made of homogeneous cast brass. Standard connection for cable shoe and cushion on holder arm for alignment with top of brushes. Insulated bolts can be ordered as reserve parts



Insulated bolts suitable for
130614132 sold individually



ITEM NUMBER.	PRODUCT TYPE	BRUSH DIM x 4 (mm)		
		t	a	r
130614132	Brush holder compl3956845N	16	32	Max 54
130611616	Insulated bolt for 3956845H			