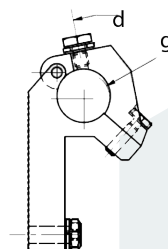
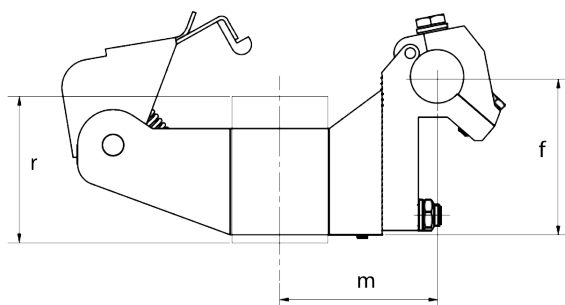




Single brush holders type GH with clamps. Cast brass

Execution L

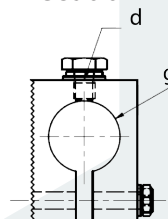
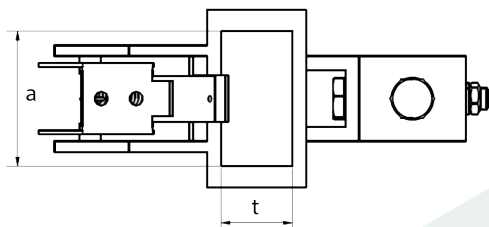


Holders made of homogeneous cast brass. Designed for at least 15 A/cm² and compliant with all electro-graphite grades. Clamp alternatives for various motor types embrace a very broad application spectrum.

Standard items are delivered with clamp assembly as shown in execution K.

NOTE. Clamp assembly as shown in execution L must be ordered separately.

Execution K



Item Number	t x a	g	m	f	d	r
13 060 0001	5 x 10	10	20,5	13	M5	20
13 060 0002	6,3 x 10	10	21,2	13	M5	20
13 060 0003	8,0 x 10	10	22	13	M5	20
13 060 0004	6,3 x 12,5	10	21,2	13	M5	25
13 060 0005	8,0 x 12,5	10	22	13	M5	25
13 060 0006	10 x 12,5	10	23	13	M5	25
13 060 0007	8,0 x 16	10-13	22-27	13-30	M5/M6	32
13 060 0008	10 x 16	10-13	23-28	13-30	M5/M6	32
13 060 0009	12,5 x 16	10-13	24,3-29,3	13-30	M5/M6	32
13 060 0010	8,0 x 20	10-16	26	18-25	M5/M6	32
13 060 0011	10 x 20	10-16	27	18-25	M5/M6	32
13 060 0012	12,5 x 20	10-16	28,3	18-35	M5/M6	32
13 060 0013	16 x 20	10-16	30	18-30	M5/M6	32
13 060 0014	8,0 x 20	13-16	26	18	M5	32
13 060 0015	10 x 20	13-16	27	18	M5	32
13 060 0016	12,5 x 20	13-16	28,3	18	M5	32
13 060 0018	16 x 32	13-20	33-37	18-50	M6	40
13 060 0019	20 x 32	20	35-39	24-50	M6	40
13 060 0020	25 x 32	20-25	35	60	M6	50

Product information for which Carbex bears no responsibility is provided by the manufacturer.

